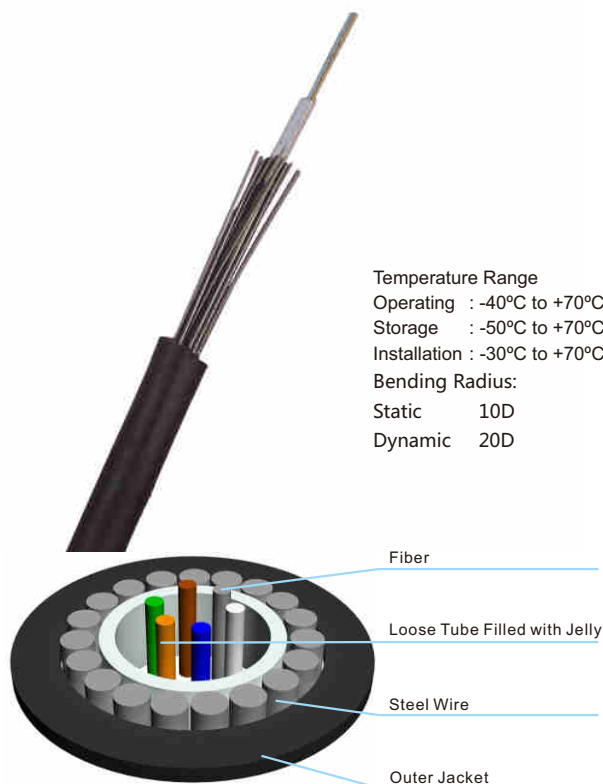


## Steel Wire Armored Uni-Tube Single Jacket Cable



Temperature Range  
 Operating : -40°C to +70°C  
 Storage : -50°C to +70°C  
 Installation : -30°C to +70°C  
 Bending Radius:  
 Static 10D  
 Dynamic 20D

## Cable Structure

## Description

Steel Wire Armored Uni-Tube optical cable with fibers placed in loose buffer tube. The cable core is protected with jelly to prevent water intrusion and migration, protected with steel wire armor. The whole set cover with a black polyethylene outer jacket.

## Product Construction

**Fiber:**  
 2-24 fibers  
 Uni-loose tube gel-filled

**Armor:**  
 Steel wire

**Outer Jacket:**  
 Black UV and moisture-resistant polyethylene (PE).

## Features

Uni-tube gel-filled construction for superior fiber protection.  
 Compact, easy to install.  
 UV and moisture-resistant design.

## Applications

Interbuilding voice or data communication.  
 Installed in duct, underground conduit.  
 FTTx.

## Optical Characteristics

Fiber Type		G.652	G.655	50/125 $\mu$ m	62.5/125 $\mu$ m
Attenuation (+20°C)	850 nm			$\leq 3.0$ dB/km	$\leq 3.3$ dB/km
	1300 nm			$\leq 1.0$ dB/km	$\leq 1.0$ dB/km
	1310 nm	$\leq 0.36$ dB/km	$\leq 0.40$ dB/km		
	1550 nm	$\leq 0.22$ dB/km	$\leq 0.23$ dB/km		
Bandwidth	850 nm			$\geq 500$ MHz·km	$\geq 200$ Mhz·km
	1300 nm			$\geq 500$ MHz·km	$\geq 500$ Mhz·km
Numerical Aperture				$0.200 \pm 0.015$ NA	$0.275 \pm 0.015$ NA
Cable Cut-off Wavelength $\lambda_{cc}$		$\leq 1260$ nm	$\leq 1450$ nm		

## Structure and Technical Specifications

Fiber Count	Nominal Diameter (mm)	Nominal Weight (kg/km)	Allowable Tensile Load (N)		Allowable Crush Resistance (N/100mm)	
			Short Term	Long Term	Short Term	Long Term
2~12	7.5	74	2000	1000	1500	600
14~24	8.0	80	2000	1000	1500	600

Note : This datasheet can only be a reference, but not a supplement to the contract. Please contact our sales people for more detailed information.